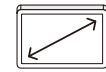
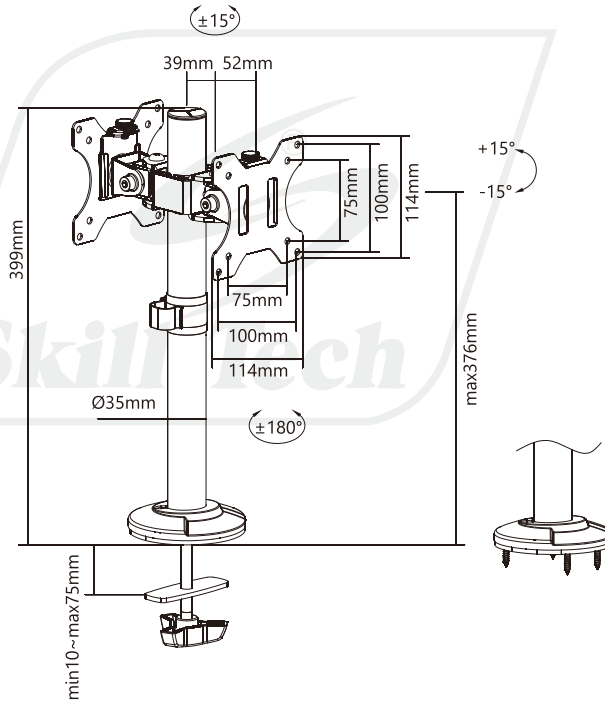
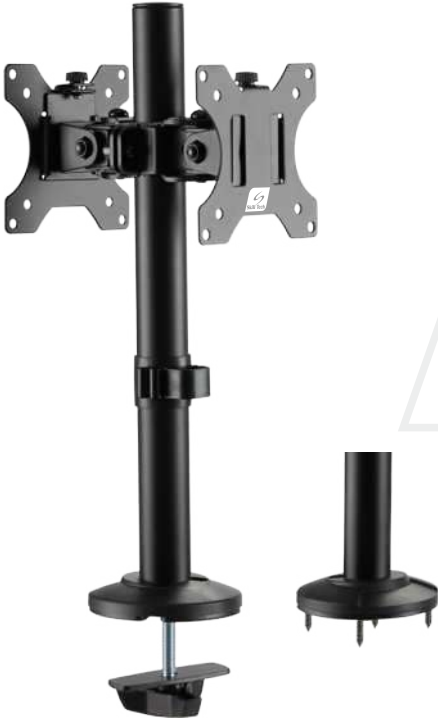
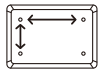


SH DPO2

Articulating Pole Mount Monitor Mounts



Screen Size
17"-32"



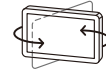
VESA Compatible
75x75 100x100



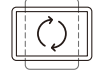
Weight Capacity
8kg/17.6lbs(x2)



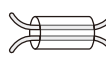
Tilt Range
 $+15^\circ$ - -15°



Swivel Range
 $+15^\circ$ - -15°



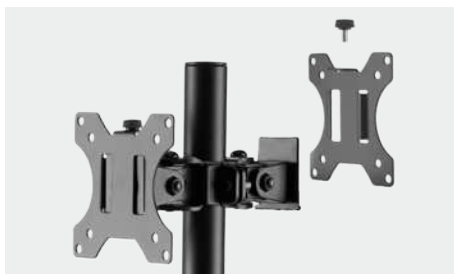
Screen Rotation
360°



Cable Management



Curved Monitor



Detachable VESA Plate
for quick and easy installation.



Cable Management
keeps things organized and clean.



Mounting Options